



RICO Model # HSD-EX-AC-80

EX-80

Sit-Down, Counterbalanced Explosion Proof Forklift

APPROVED FOR OPERATION IN:

- Class 1, Division 1 & 2, Group D
- Class 2, Division 1 & 2, Group G
- Hazardous Environment



For more information, or to find
your nearest Yale® dealer, go to:
www.Yale.com

RICO

Since 1984 RICO Manufacturing has been designing and manufacturing specialized lift trucks for the most rigorous and demanding industries around the globe.



RICO's hazardous products division continues to be the leading manufacturer of Explosion Proof equipment and forklifts in the United States.

RICO's standard for excellence in design, manufacturing and installation results in the best EX-rated lift trucks on the market today. All of our explosion-proof lift trucks are designed around operator visibility, friendly maintenance and outstanding parts/service support.

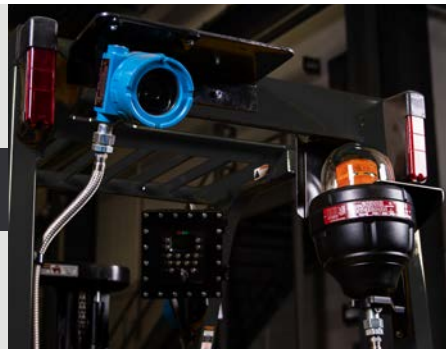


98%
WORK PERFORMED
IN-HOUSE



FINANCIALLY
INDEPENDENT

SAFETY FEATURES



Safety is a critical focus for every successful organization – forklift safety starts with RICO.



STATIC CONDUCTIVE STEER TIRES
Prevent sparks, helping to provide a working environment with reduced peril and hazardous conditions.



PROTECTED SURFACES
Exposed components on the perimeter of the truck, including forks, are protected with brass and aluminum alloys eliminating the possibility of mechanical sparking.



RIGOROUS TESTING
Built to UL583 specifications, and approved by FM Global, a Nationally Recognized Testing Laboratory.



OUTSTANDING VISIBILITY
Excellent visibility helps increase operator awareness.



LIGHTING
Additional packages for LED work lights, blue pedestrian light and LED strobe light are available.



Choose RICO for exceptional performance and explosion proof features.

DRIVE, PUMP AND ELECTRICAL ENCLOSURES
House only electrical components and are approved to be included on EX-rated lift trucks. All RICO enclosures have been tested for approval in an EX-rated environment by FM Global.



FLEXIBLE CONDUIT (FC) CABLES house regular cabling, which is sealed to ensure safe use in an EX-rated environment. The FC Cable provides flexibility and space saving.

FEATURES & BENEFITS

EX-80 |||||

RICO Model # HSD-EX-AC-80



EASE OF MAINTENANCE

Easy access to serviceable components.



REDUCED COSTS

Battery box eliminates the need for an EX battery.



INVENTORY CONTROL

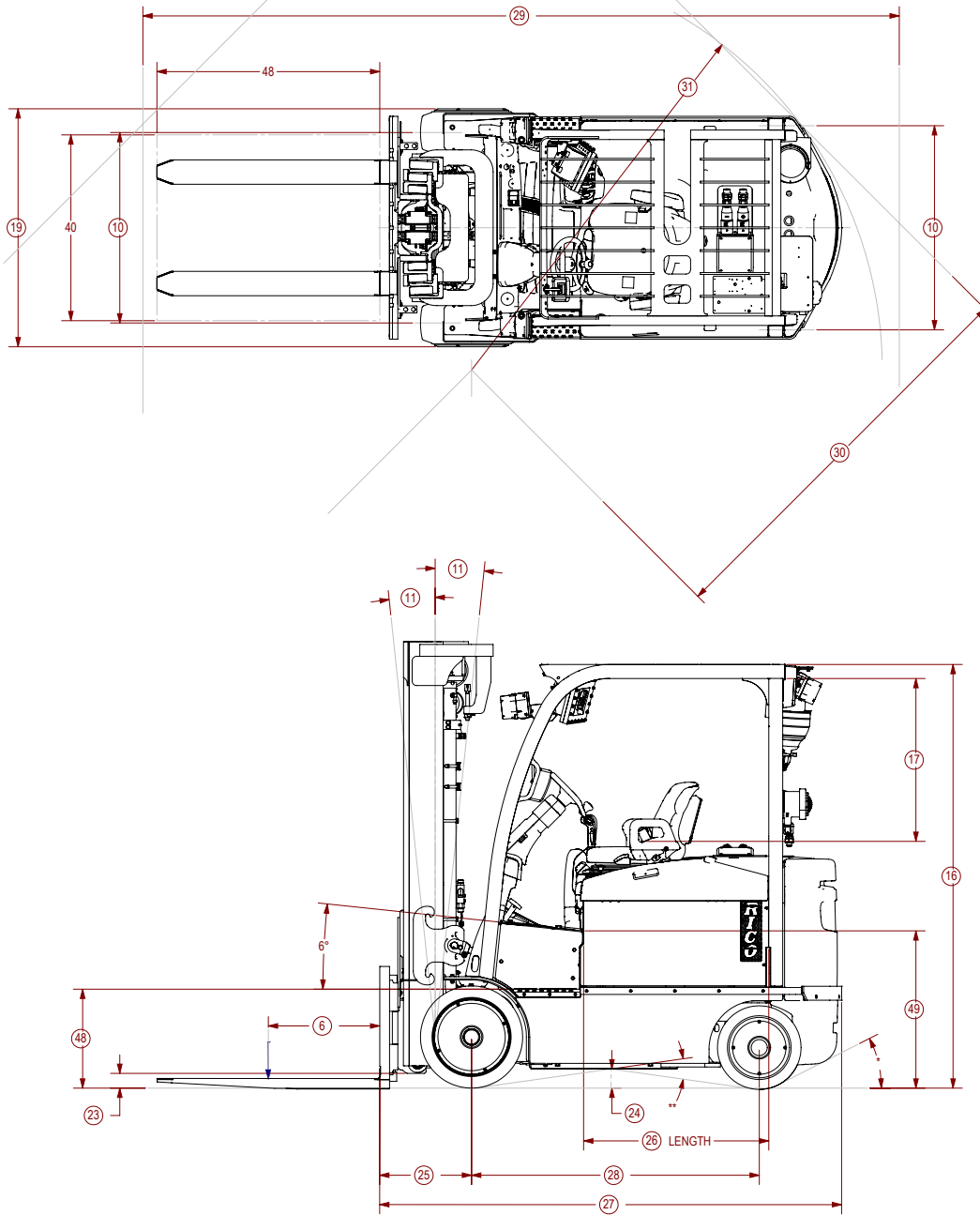
Industry standard components for local servicing and dealer sourcing.



APPROVED FOR OPERATION IN:

- Class 1, Division 1 & 2, Group D
- Class 2, Division 1 & 2, Group G
- Hazardous Environment

SPECIFICATIONS



GENERAL

1	Manufacturer				RICO
2	Model Designation				HSD-EX-AC-80
3	Power				Electric
4	Operation				Sit
5	Rated Capacity			lb (kg)	8,000 (3,629)
6	Load Center			in (mm)	24 (610)

TIRES

7	Tire Type - Cushion, Solid, Pneumatic, etc.				Cushion / Cushion
8	Tire Size			in	22 x 9 x 16 / 18 x 7 x 12.1
9	Wheels - Number	X=Driven			2X / 2
10	Tread - Steer	Center of Tires		in (mm)	41 / 38.5 (1,041 / 977.9)
10	Tread - Drive	Center of Tires		in (mm)	31.8 (808)



DIMENSIONS

11	Mast Tilt			degrees	5F / 5B 8F / 5B
12	Mast - Lowered Height			in (mm)	84.1 (2,134)
13	Free Lift - Top of Fork	Std 2 Stg Limited Free Lift Mast		in (mm)	5.13 (130)
		Opt 2 Stg Full Free Lift Mast with / without LBR		in (mm)	35.13 / 53.13 (982 / 1,346)
14	Lift Height - Top of Fork	Std 2 Stg Limited Free Lift Mast		in (mm)	120.13 (3,051)
15	Mast - Extended Height	Std Mast with / without LBR		in (mm)	169 / 149 (4,284 / 3,783)
16	Overhead Guard Height	Std		in (mm)	94 (2,388)
17	SIP to Bottom Std OHG	Susp at mid-point		in (mm)	37.3 / 36.3 / 36.2 (949 / 924 / 922)
19	Overall Width	Wide Tread		in (mm)	50.25 (1,302)
20	Forks	Thickness x Width x Length		in (mm)	2.25 x 5.25 x 42 (57 x 133 x 1067)
21	Standard Carriage Width			in (mm)	47.3 (1,067)
22	Floor to Top of Battery Rollers			in (mm)	22.8 (579)
23	Ground Clearance	Lowest Point		in (mm)	3.8 / 3.5 (96 / 90)
24	Ground Clearance	Center of Truck		in (mm)	4 / 3.75 (101 / 95)
25	Load Distance	Center of Wheel to Face of Forks		in (mm)	17.8 (452)
26	Battery Compartment	Height		in (mm)	21 (533)
		Width		in (mm)	35.5 (902)
				SIZE	39
		Length		in (mm)	39.2 (996)
27	Length to Face of Forks			in (mm)	103 (2,616)
28	Wheelbase			in (mm)	62 (1,574)
29	Right Angle Stack			in (mm)	151.5 (3,848)
30	Equal Aisle	90° Intersecting Aisle		in (mm)	80.2 (2,037)
31	Outside Turning Radius			in (mm)	86 (2,184)

WEIGHT

32	Truck Weight	Without Battery	NL	lb (kg)	14,350 (6,509)
33	Axle Loading - Drive	Static with Max. Wt. Battery	NL / RL	lb (kg)	8,716 / 22,084 (3,953 / 10,017)
34	Axle Loading - Steer	Static with Max. Wt. Battery	NL / RL	lb (kg)	9,108 / 3,741 (4,131 / 1,696)

PERFORMANCE

				VOLTS	Standard Performance 36
36	Travel Speed	Extended Shift OFF	NL / RL	mph (km / h)	6
37	Lift Speed	Std 2 Stg LFL Mast	NL / RL	ft/min (m / sec)	30 / 27 (0.152 / 0.137)
		Opt 2 Stg FFL Mast	NL / RL	ft/min (m / sec)	26 / 24 (0.132 / 0.122)
		Opt 3 Stg FFL Mast	NL / RL	ft/min (m / sec)	26 / 24 (0.132 / 0.122)
38	Lower Speed	Std 2 Stg LFL Mast	NL / RL	ft/min (m / sec)	94 / 104 (0.48 / 0.53)
		Opt 2 Stg FFL Mast	NL / RL	ft/min (m / sec)	75 / 91 (0.38 / 0.46)
		Opt 3 Stg FFL Mast	NL / RL	ft/min (m / sec)	77 / 98 (0.39 / 0.5)
41	Brake	Method of Control	Service / Parking		Hydraulic / Spring Applied
		Method of Operation	Service / Parking		Foot / Automatic

ELECTRIC

42	Battery			VOLTS	36
43	Traction Motor		60 Minute Rating	hp (kW)	28.8 (21.5)
44	Pump Motor		15% Rating	hp (kW)	35.5 (26.5)
45	Traction Motor		Type / Control Method		AC / Transistor
46	Pump Motor		Type / Control Method		AC / Transistor
47	Number of Speeds		Traction / Pump		Infinitely Variable / Infinitely Variable

OTHER

48	Step Height			in (mm)	21.1 (536)
49	Floor Height		Lowest Point	in (mm)	33.7 (855)
50	Attachment Relief Pressure			psi (bar)	2,250 (155)
51	Auxiliary Oil Flow	3rd and 4th Function		gal / min (l / min)	16 (60)

BATTERY AND COMPARTMENT SPECIFICATIONS

Battery Compartment Dimensions				Battery Dimensions and Specifications			Volts	No. of Cells	Plates per Cell	Max Capacity 6 Hour Rate	Weight	
Compartment Type	Width	Length	Height	"X"	"Y"	"Z"					Min	Max
	in (mm)			in (mm)						amp hr (kwh)	lb (kg)	
Compartment w/ Rollers	36.25 (920)	39.2 (996)	21 (533)	35.8 (909)	38.2 (971)	20 (508)	36	18	31	1,050 (37.8)	3,000 (1,361)	3,475 (1,576)

Note: Specifications included in the tables above are subject to change.

SERVICES & SUPPORT

At RICO, we know that once a lift truck ships, the real work is just beginning.



RICO products are fully supported throughout their service life by a team of dedicated experts who are true business partners.



RICO offers EX compliance evaluations and services on all RICO manufactured trucks.

On-site evaluations can be performed by RICO or one of our factory-trained authorized servicing dealers.



RICO provides our customers with the education and tools to evaluate and assess EX trucks in the field to determine whether they are still within compliance.

ROI

Extend the return on investment of your vehicle and help increase the safety of your team and your facility — schedule an EX compliance evaluation or EX training today.



Join the Conversation



RICO is American Owned & Operated

RICO Manufacturing, Inc.
691 West Liberty Street
Medina, OH 44256
330.723.4050
www.RICOequipment.com

For more information, or to find your nearest Yale® dealer, go to:
www.Yale.com



(844) 432-4724
fairchildequipment.com

