

SPECIFICATION



ARTICULATED BOOM | AJ48D

Platform height 48' 3" / 14.7m Platform capacity 551lbs / 250kg Platform reach 27' 4" / 8.3m

FAIRCHILD

JCB

HIGHER STANDARDS OF DESIGN.

User friendly control panel and joystick layout coupled with function speed control, provides smooth, stable operation.



SAFE & SECURE.

Auxiliary handrail provides enhanced protection against crush injuries to the operator.



HIGHER STANDARDS OF MANUFACTURE.

We've developed a highly durable and robust structure, integrated with a Bosch Electronic Control System and proven components from our construction equipment.

HIGHER STANDARDS OF TOUGHNESS.

We've treated the platform to give the highest level of EPD protection, providing an extremely durable, rust-resistant finish for years to come.



HIGHER STANDARDS OF BACK-UP.

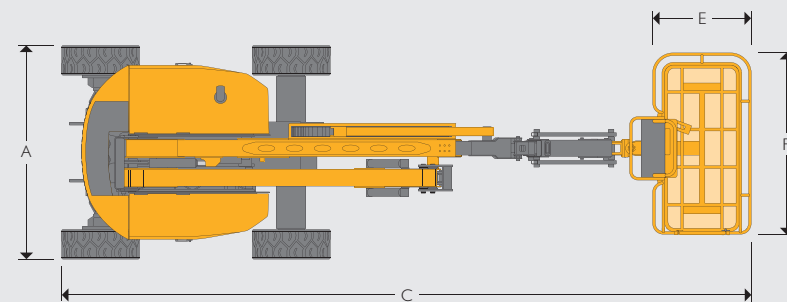
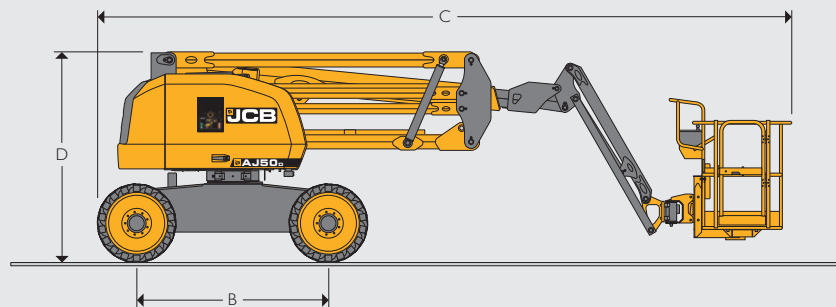
With trained engineers and technicians across 2,200 dealer depots globally, JCB can deliver the back-up that the powered access market has been waiting for.

HIGHER STANDARDS OF TELEMATICS.

Fitted as standard, JCB LiveLink provides maximum machine uptime by sending notifications on machine performance, utilisation and health alerts.

DIMENSIONS

AJ48D



DIMENSIONS

			Metric	Imperial
	Weight	kg / lbs	7885	17383
A	Width	m / ft in	2.26	7' 5"
B	Wheelbase	m / ft in	2.03	6' 8"
C	Length (stowed)	m / ft in	7.35	24' 1"
D	Height (stowed)	m / ft in	2.23	7' 4"
	Tail swing	m / ft in	0.12	0' 5"
	Ground clearance	m / ft in	0.32	1' 0"
	Wheel loading (per wheel)	kg / lbs	1971	4345

PLATFORM

			Metric	Imperial
E	Platform length	m / ft in	0.85	2' 9"
F	Platform width	m / ft in	1.83	6' 0"
	Platform height	m / ft in	1.1	3' 7"
	Entry type		Gate	
	Entry number		1	
	Occupancy		2	
	Capacity	kg / lbs	250	551
	Rotation	degrees	160	
	Crush protection – electronic		Std	

ELECTRICS

System voltage	V	12
Battery manufacturer		JCB
Battery model		Powermaster
Capacity	Ah	110
Auxiliary pump system		12V DC

ENGINE

		Metric	Imperial
Make		Kohler	
Emissions compliance		T4F	
Model		KDI1903TCR	
Entry type		Gate	
Power	kW / hp	36	48
Rated speed	rpm	2500	
Fuel tank capacity	litres / gal	59	15.6

DRIVELINE

		Metric	Imperial
Drive		4WD	
Max stowed speed	km/h / mph	6.5	4.0
Max raised speed	km/h / mph	1.1	0.68
Greadability (stowed)	% slope	40	

TIRES

Type		Solid
Size		33x12-20

LIVELINK

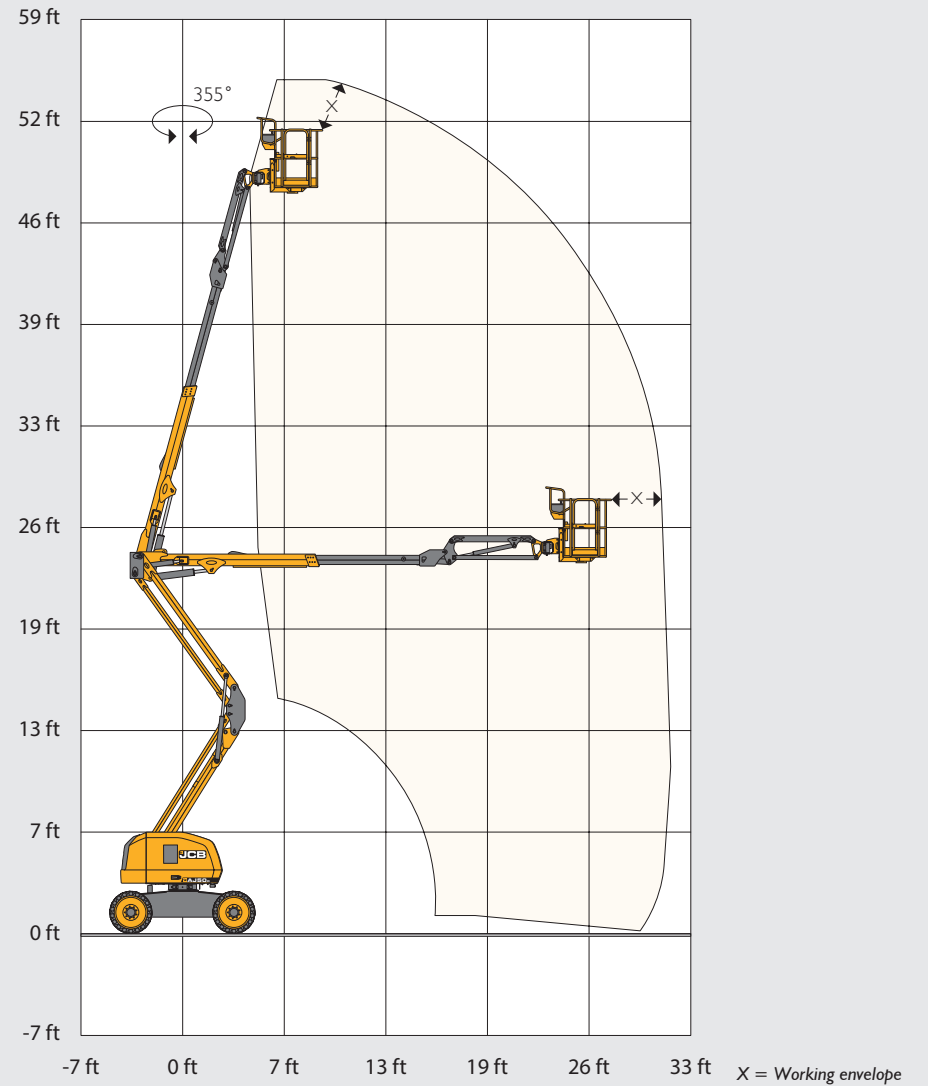
LiveLink		Std
----------	--	-----

LIFT PERFORMANCE

		Metric	Imperial
Max. platform height	m / ft in	14.7	48' 4"
Max. working height	m / ft in	16.7	54' 3"
Max. outreach	m / ft in	8.3	27' 4"
Up and over clearance*	m / ft in	7.5	24' 4"
Slew rotation	degrees	355	
Wind speed	m/s / mph	12.5	28
Tilt sensor cut out	degrees	5	

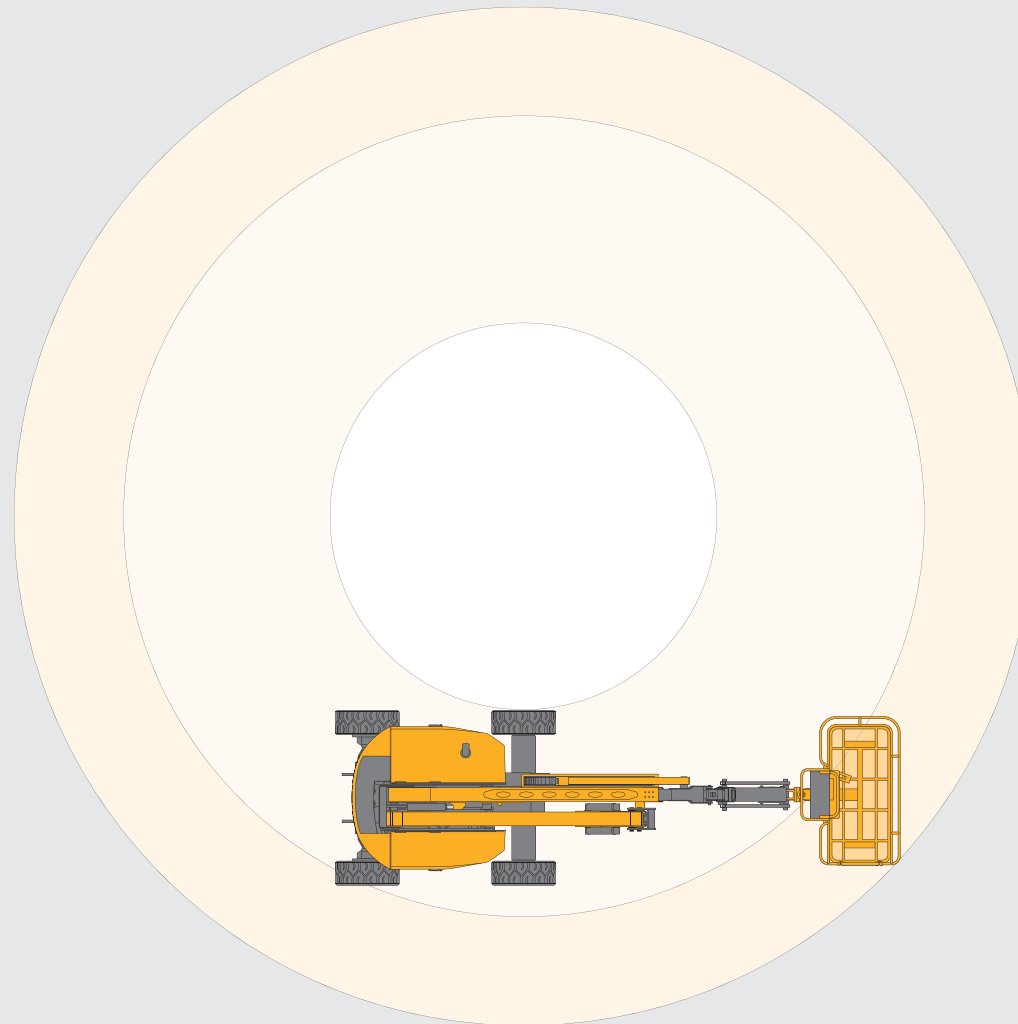
* Up and Over clearance is the max height that the basket can reach horizontally

** definition of movement required



TURNING CIRCLE

		Metric	Imperial
Steer system	type	2WS	
Turning radius (inside)	m / ft in	2.7	8' 10"
Turning radius (outside)	m / ft in	4.7	15' 5"









ONE COMPANY, OVER 300 MACHINES.

Your nearest JCB dealer



FAIRCHILDEQUIPMENT.COM
(844) 432-4724

5718 10/21 en-US / 29419.2 (UK)

Articulated Boom AJ48D

Platform height 48' 3" / 14.7m Platform capacity 551lbs / 250kg Platform reach 27' 4" / 8.3m

JCB North America

2000 Bamford Blvd., Pooler, Georgia, 31322 Tel: (912) 447-2000

Download the very latest information on this product at www.jcb.com

©2021 JCB Sales. All rights reserved. No part of this publication may be reproduced, stored in a retrieval system, or transmitted in any form or by any other means, electronic, mechanical, photocopying or otherwise, without prior permission from JCB Sales. All references in this publication to operating weights, sizes, capacities and other performance measurements are provided for guidance only and may vary dependent upon the exact specification of machine. They should not therefore be relied upon in relation to suitability for a particular application. Guidance and advice should always be sought from your JCB Dealer. JCB reserves the right to change specifications without notice. Illustrations and specifications shown may include optional equipment and accessories. All images are correct at time of print. The JCB logo is a registered trademark of J.C. Bamford Excavators Ltd.

JCBNA
 @JCBNA
 JCBNORTHAMERICA
 JCBNA

